

PRODUCT INFORMATION PACKET



Model No: U6C34FK55 F

Catalog No: 113959.00

2HP..3450RPM.56.TEFC.115/208-230V.1PH.60HZ.CONT.AUTOMATIC.40C.1SF.RIGID C.JET
PUMP.U6C34FK55F

Jet Pump



Regal and Leeson are trademarks of Regal Beloit Corporation or one of its affiliated companies.

©2018 Regal Beloit Corporation, All Rights Reserved. MC017097E





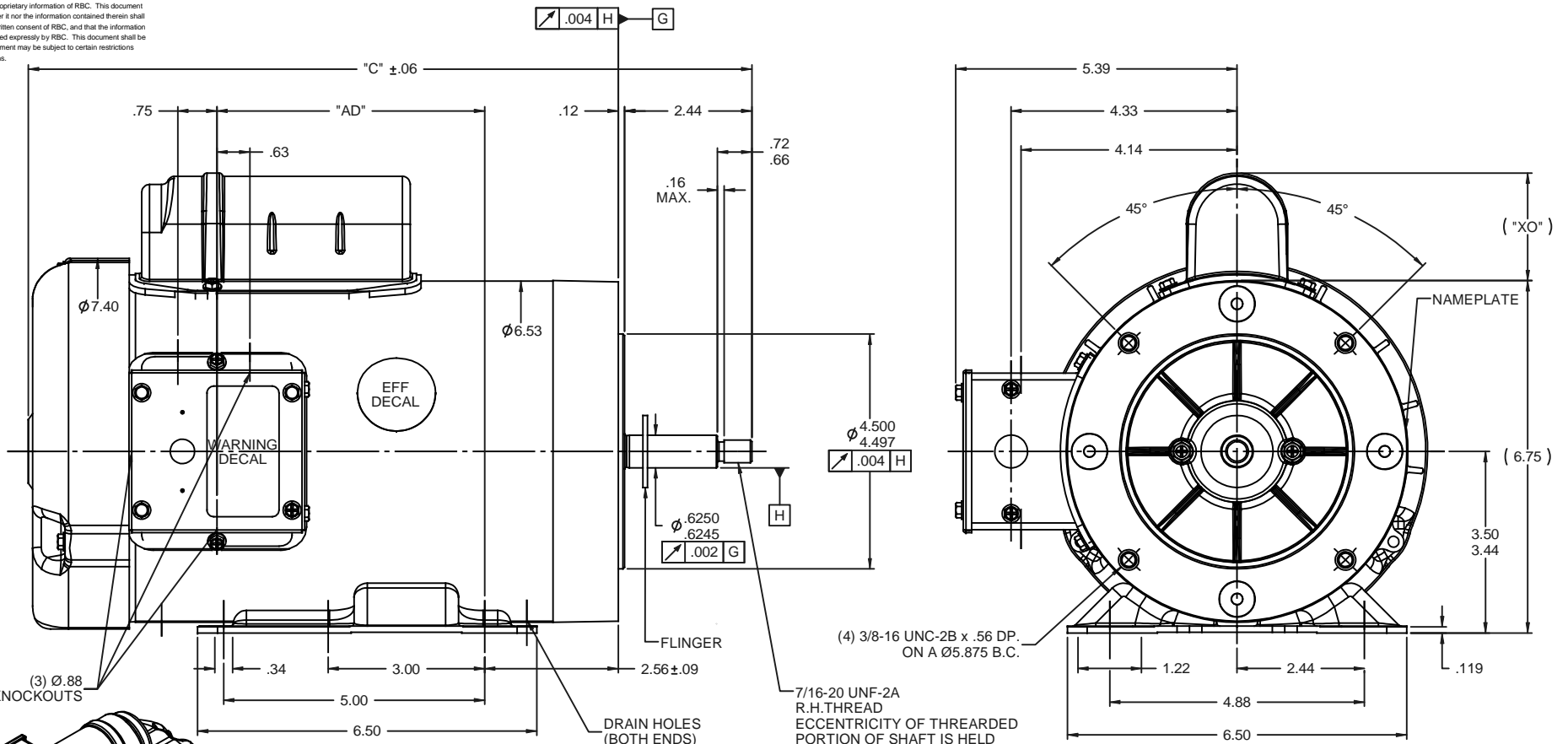
Nameplate Specifications

Output HP	2 Hp	Output KW	1.5 kW
Frequency	60 Hz	Voltage	115/208-230 V
Current	20.0/11.4-10.0 A	Speed	3450 rpm
Service Factor	1	Phase	1
Efficiency	73 %	Duty	Continuous
Insulation Class	F	Design Code	L
KVA Code	J	Frame	56J
Enclosure	Totally Enclosed Fan Cooled	Overload Protector	Automatic
Ambient Temperature	40 °C	Drive End Bearing Size	6203
Opp Drive End Bearing Size	6203	UL	Recognized
CSA	Y	CE	N
IP Code	43		

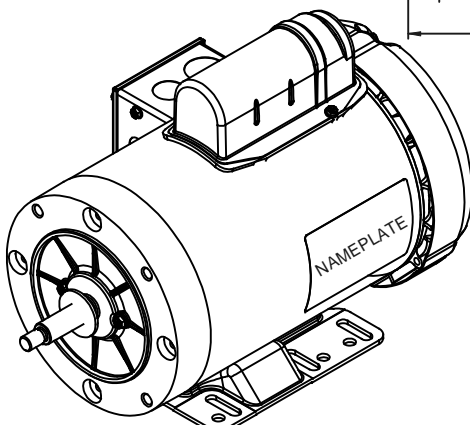
Technical Specifications

Electrical Type	Capacitor Start Induction Run	Starting Method	Across The Line
Poles	2	Rotation	Fixed Clockwise
Mounting	Rigid base	Motor Orientation	HORIZONTAL
Drive End Bearing	BALL	Opp Drive End Bearing	BALL
Frame Material	Rolled Steel	Shaft Type	J
Overall Length	13.86 in	Frame Length	8.00 in
Shaft Diameter	0.625 in	Shaft Extension	2.44 in
Assembly/Box Mounting	F1 ONLY		
Outline Drawing	028923-800B	Connection Diagram	005331.01

RBC PROPRIETARY AND CONFIDENTIAL INFORMATION
 This document is the property of REGAL BELOIT CORPORATION ("RBC") including its subsidiaries and divisions and contains proprietary information of RBC. This document is loaned on the express condition that neither it nor the information contained therein shall be disclosed to others without the express written consent of RBC, and that the information shall be used by the recipient only as approved expressly by RBC. This document shall be returned to RBC upon its request. This document may be subject to certain restrictions under U.S. export control laws and regulations.



ECCENTRICITY OF THREADED PORTION OF SHAFT IS HELD WITHIN .004 T.I.R. WITH INDICATOR ON O.D. OF GROUND RING GAUGE BEING STATIONARY WITH RESPECT TO THE MOTOR



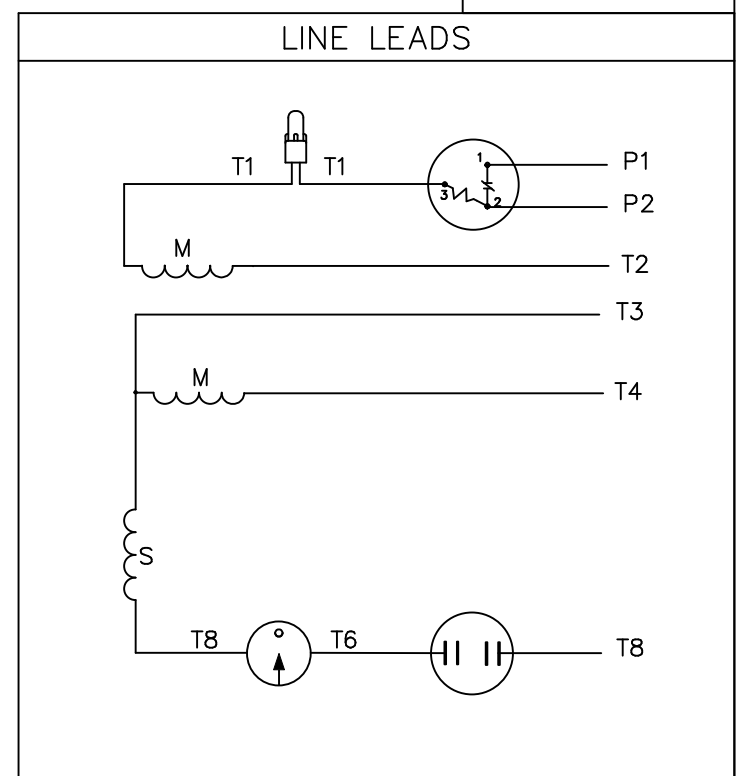
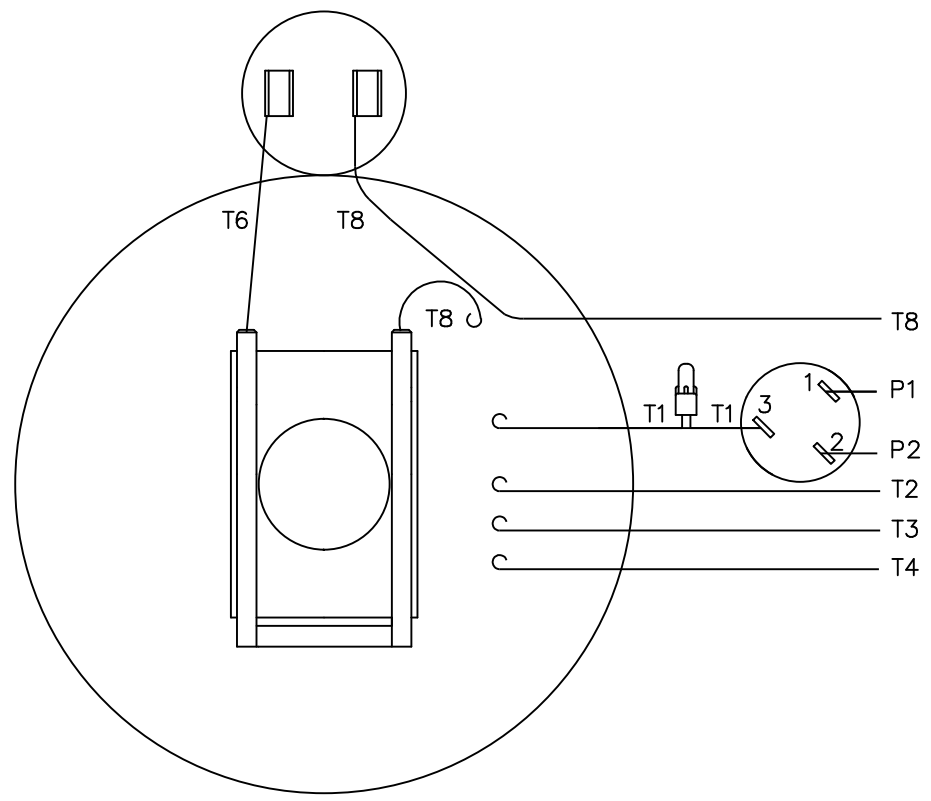
DASH NO.	"C"	"AD"	CAP. DASH	"XO"
650	12.36	3.63		
700	12.86	4.13		
750	13.36	4.63	A	1.54
800	13.86	5.13	B	2.01
850	14.36	5.63	C	2.25

NOTES:
 1) GASKETS THROUGHOUT

REVISION		BY & DATE	CHK	ANG	±1/2"	FINISH	PAGE 1 OF 1	
THIRD ANGLE PROJECTION			RFP	12/15/08	PREV		SIZE	DRAWING NO
							B	028923
								REV

TOLERANCES UNLESS SPECIFIED	DEC	INCHES	LEESON ELECTRIC MOTORS GEARMOTORS AND DRIVES		DRAWN	GRB 12/15/08
x	±.1				CHK	DJ 12/15/08
.xx	±.03	TITLE	OUTLINE - 56J FRAME		APPR	DJ 12/15/08
.xxx	±.005		TEFC - RIGID "C"		SCALE	1:2
.xxxx	±.0005	MATL	JET PUMP		REF	028651
					FMF	113959.00

VIEW FROM OUTSIDE OF MOTOR AT SWITCH END.



	ROTATION FACING LEAD END	L1	L2	JOIN	INSULATE SEPARATELY
HIGH VOLT	C.W.	P1	T4 T8	T2,T3	P2
LOW VOLT	C.W.	P1	T4,T2 T8	P2,T3	----

TOLERANCES UNLESS OTHERWISE SPECIFIED	
DECIMALS	
.00	± .01
.000	± .005
.0000	± .0005
FRACTIONS	
	± 1/64

LEESON ELECTRIC CORPORATION

TITLE: EXTERNAL WIRING DIAGRAM
TYPE "C" W/PROTECTOR

MAT'L: DECAL - 080393

FINISH	SIZE	DRAWING NO.
STOCK	A	005331-01

REF. 005030.02
FMF 6C34FC43

NO.	REVISION	BY	DATE
03	REDRAWN TO CURRENT STANDARDS	DBT	06/05/97

THIS DRAWING IN DESIGN AND DETAIL IS OUR PROPERTY AND MUST NOT BE USED EXCEPT IN CONNECTION WITH OUR WORK ALL RIGHTS OF DESIGN AND INVENTION ARE RESERVED



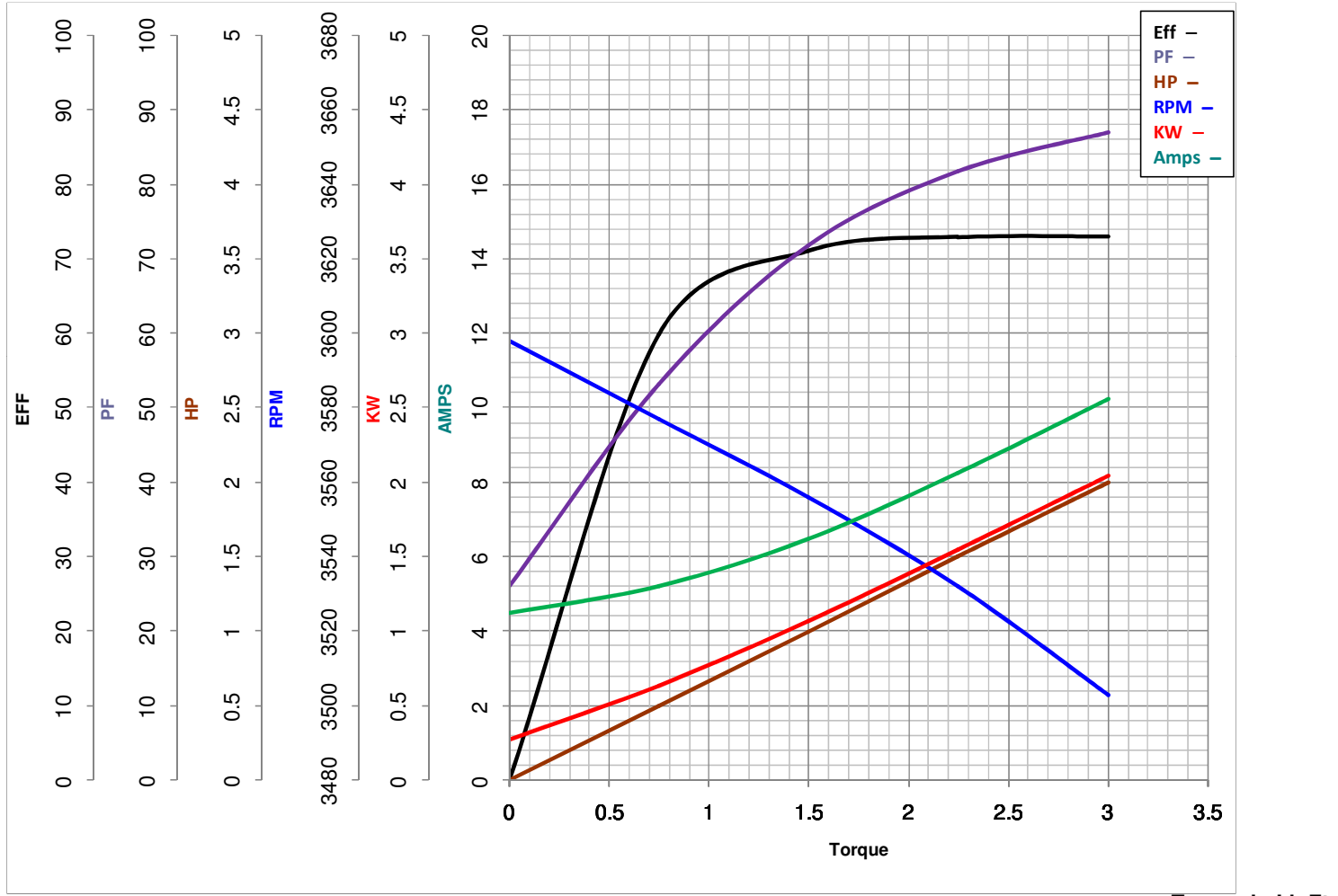
LEESON ELECTRIC CORPORATION
TYPICAL PERFORMANCE CURVE for AC MOTOR

Model No 113959.00

Catalog No 113959.00

Curve at 230 Volts HP 2.00 PHASE 1
60 HZ
2 HP VOLTS 115/208-230

HZ 60 RPM 3450



FL TORQUE	<u>3</u>	Lb.Ft	FL AMPS	<u>20/11.4-10</u>
BD TORQUE	<u>7.8</u>	Lb.Ft	PU TORQUE	<u>7.0</u> Lb.Ft
LR TORQUE	<u>7.5</u>	Lb.Ft	LR AMPS	<u>64.4</u>
WINDING	C632213-4		Date	5/2/2018